

U-shaped Magnetic Proximity Sensor

MU Series INSTRUCTION MANUAL

TCD210224AC



Thank you for choosing our Autonics product.

Read and understand the instruction manual and manual thoroughly before using the product.

For your safety, read and follow the below safety considerations before using.

For your safety, read and follow the considerations written in the instruction manual, other manuals and Autonics website.

Keep this instruction manual in a place where you can find easily.

The specifications, dimensions, etc. are subject to change without notice for product improvement. Some models may be discontinued without notice.

Follow Autonics website for the latest information.

Safety Considerations

- Observe all 'Safety Considerations' for safe and proper operation to avoid hazards.
- ⚠ symbol indicates caution due to special circumstances in which hazards may occur.

Warning Failure to follow instructions may result in serious injury or death.

01. Fail-safe device must be installed when using the unit with machinery that may cause serious injury or substantial economic loss. (e.g. nuclear power control, medical equipment, ships, vehicles, railways, aircraft, combustion apparatus, safety equipment, crime/disaster prevention devices, etc.)

Failure to follow this instruction may result in personal injury, economic loss or fire.

02. Do not use the unit in the place where flammable/explosive/corrosive gas, high humidity, direct sunlight, radiant heat, vibration, impact, or salinity may be present.

Failure to follow this instruction may result in explosion or fire.

03. Do not disassemble or modify the unit.

Failure to follow this instruction may result in fire.

04. Do not connect, repair, or inspect the unit while the load is connected to a power source.

Failure to follow this instruction may result in fire.

05. Check 'Connections' before wiring.

Failure to follow this instruction may result in fire.

Caution Failure to follow instructions may result in injury or product damage.

01. Use the unit within the rated specifications.

Failure to follow this instruction may result in fire or product damage.

02. Use a dry cloth to clean the unit, and do not use water or organic solvent.

Failure to follow this instruction may result in fire.

03. Make cable length as short as possible.

Failure to follow this instruction may result in malfunction.

04. Do not install the switch on the magnetic object or in the environment of ferromagnetic fields. Use bolt and nut of stainless steel or nonmagnetic material, when installing the switch.

Failure to follow this instruction may result in malfunction or affect sensing distance.

05. Do not use a load over the range of rated relay specification.

Failure to follow this instruction may result in fire, relay broken, contact melt, insulation failure or contact failure.

Cautions during Use

- Follow instructions in 'Cautions during Use'. Otherwise, it may cause unexpected accidents.
- If excessive shock or vibration is applied to the product, it may cause bounce or malfunction.
- Use the slow mode filter to avoid bounce and chattering. Bounce and chattering may occur when high-speed mode (≤ 1 ms) filter is applied.
- This unit may be used in the following environments.
 - Indoors (in the environment condition rated in 'Specifications')
 - Altitude max. 2,000 m
 - Pollution degree 3
 - Installation Category II

Product Components

- Product
- Instruction manual

Ordering Information

This is only for reference, the actual product does not support all combinations. For selecting the specified model, follow the Autonics website.

MU - ① - ② - ③

① Contact type

1A: Normally open
1B: Normally closed

② Cable type

No mark: cable type (2 m)
E: Cable connector type (0.5 m)

③ Sensing distance

Number: Standard sensing distance (unit: mm)

Specifications

Model	MU-1A-30-□	MU-1B-30-□
Contact	N.O.	N.C.
Operating distance ⁰¹⁾	OFF → ON	± 10 mm
	ON → OFF	± 20 mm
Standard sensing target	Steel plate - a galvanized steel sheet 1.6t	
Operating time	≤ 2 ms	
Release time	≤ 1 ms	
Operating frequency	≤ 500 Hz	
Approval	CE	
Unit weight (package)	Cable type: ≈ 132.5 g (≈ 172.3 g)	
	Cable connector type: ≈ 107 g (≈ 147.2 g)	

01) Rated at the ambient temperature of 23 °C. It can be differed up to ±20 % according to the ambient temperature.

Switching voltage	≤ 24 VDC≐
Life expectancy	≥ 100 million times (at a resistive load of 5 VDC≐m 10 mA)
Insulated resistance	≥ 1,000 MΩ (500 VDC≐ megger)
Dielectric strength	Between the charging part and the case: 500 VAC~ 50/60 Hz for 1 min
Vibration	1.5 mm double amplitude at frequency of 10 to 55 Hz in each X, Y, Z direction for 2 hours
Shock	100 m/s ² (≈ 10 G) in each X, Y, Z direction for 3 times
Ambient temperature	-10 to 65 °C, storage: -10 to 70 °C (no freezing or condensation)
Ambient humidity	35 to 85 %RH, storage: 35 to 85 %RH (no freezing or condensation)
Protection structure	IP67 (IEC standard)
Connection	Cable type / Cable connector type
Cable	Cable type: Ø 4, 2-wire, 2 m (UL Style 20276, AWG22) Cable connector type: Ø 4, 2-wire, 0.5 m (UL Style 20276, AWG22)
Material	Cover/Case: PC (915R)

Applied REED SWITCH

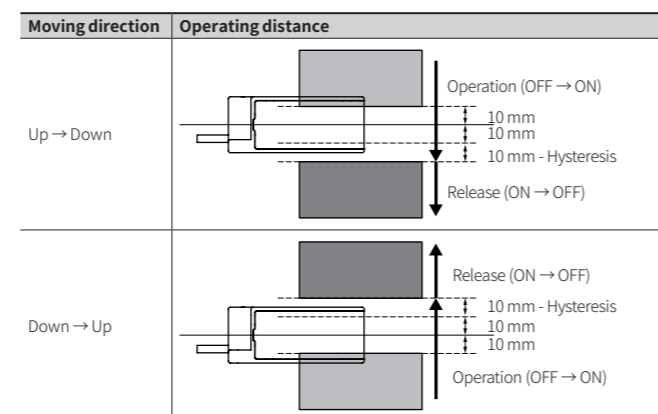
Model	ORD324-10-15 (STANDEX MEDER)
Contact	A (SPST-NO: single pole, single throw, normally open)
Contact rating ⁰¹⁾	≤ 10 W/VA
Voltage	Switching: ≤ 200 VDC≐, Breakdown: ≥ 250 VDC≐
Current	Switching: ≤ 0.5 A, Carry: ≤ 1.0 A
Ambient temperature	-40 to 125 °C, storage: -65 to 125 °C ⁰²⁾
Material	Body: glass, leads: tin-plated Ni-Fe wire

01) Switching voltage and current should never exceed the wattage rating.

02) Long time exposure at elevated temperature may degrade solderability of the leads.

Operating Distance

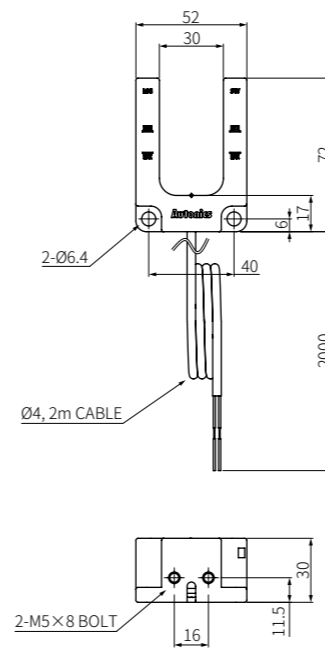
- Operating distance is the distance between the center line of switch and the target.
- Install the product to be operated within the ± 20 % of the operating distance.
- The operating distance may be affected by metal or magnetic substances which is placed closely to the switch.



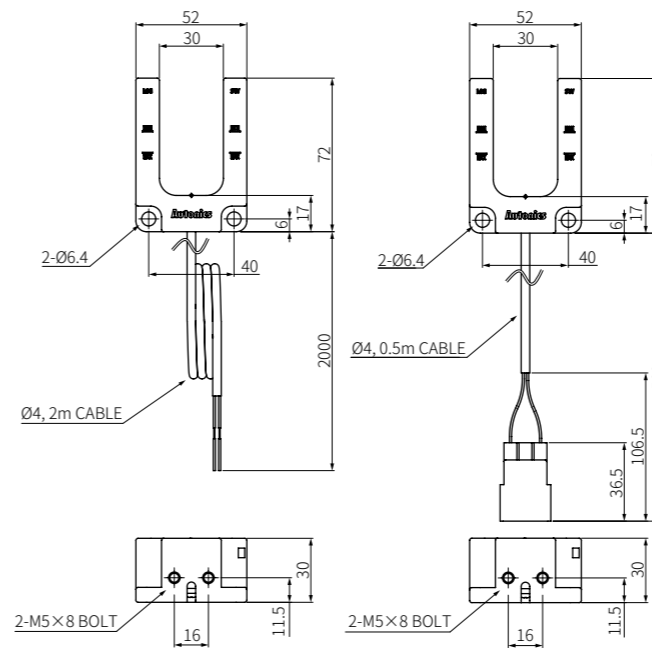
Dimensions

- Unit: mm, For the detailed dimensions of the product, follow the Autonics web site.

■ MU-□-30



■ MU-□-30-E

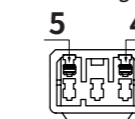


Connections

■ MU-1A-30-□

Pin	Color	Function	Internal circuit
4	Blue	Normally Open	
5	Brown		

• Pin arrangement



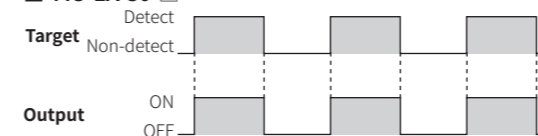
Connector: Daedong Inc., MIC-5M

■ MU-1B-30-□

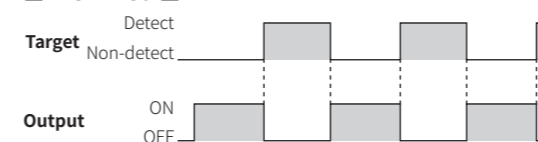
Pin	Color	Function	Internal circuit
4	Blue	Normally Closed	
5	Brown		

Timing Diagram

■ MU-1A-30-□

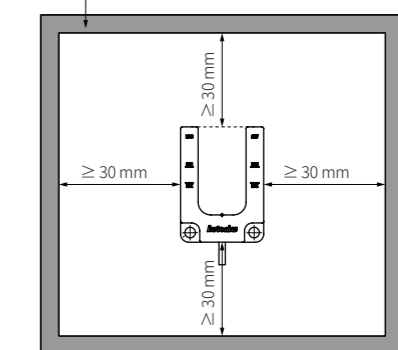
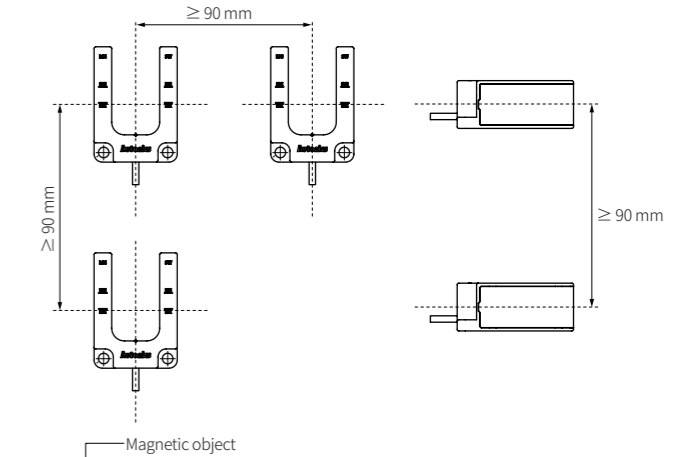


■ MU-1B-30-□



Cautions during Installation

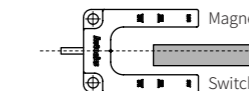
- Install the product according to the rated specifications, environment, and place.
- Tighten the M5 screw with the tightening torque of 0.8 N·m.
- Installing more than 2 switches closely may result in malfunction due to mutual interference. Keep the distance between units.



- Install the switch to the position where the center of the switch and the target be exactly horizontal and vertical.



- If it is hard to align along the center line, install the switch to the position where the target is closer to the switch part, rather than magnet part. Otherwise, the target can be attached to the magnet part, so that it can result in malfunction.



- Install the switch to the position where the target passes the sensing point area. Sensing point area: area between 30 mm point and 40 mm point from the end of the switch.

